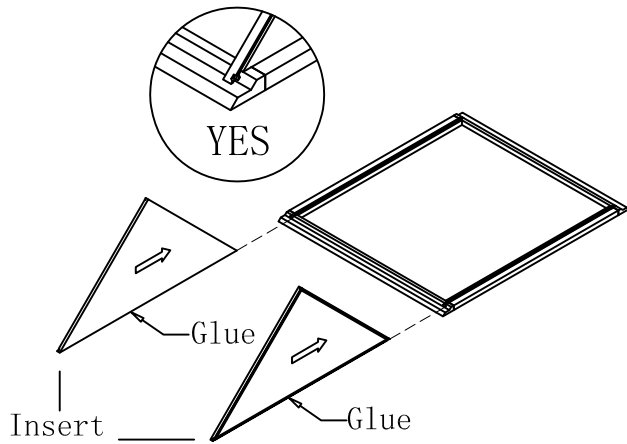
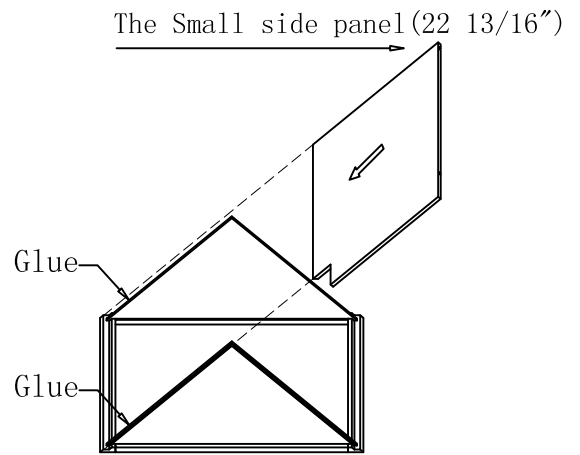


# HOOX-LOC Base Triangle Cabinet Assembly

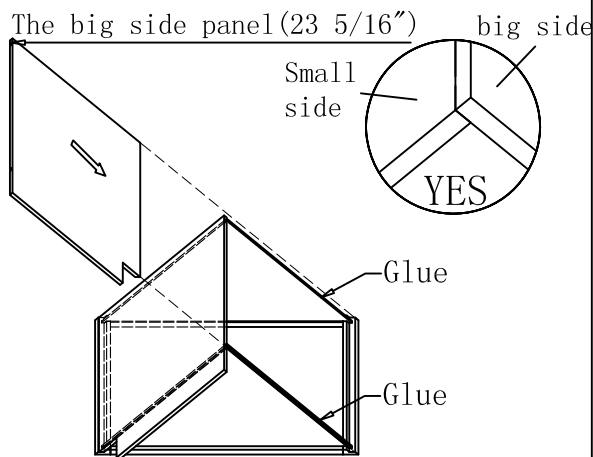
Step1:Slide top and bottom into hook grove on face frame.



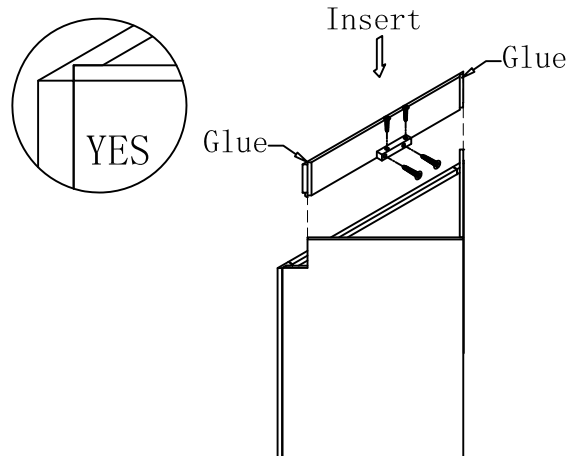
Step2:Slide small side panel into hook grove.



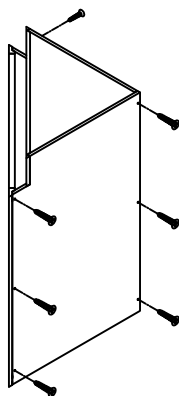
Step3:Slide big side panel into hook grove.



Step4:Install toe kick.



Step5:Install screws as shown.



Step6:

- Clean any excess glue.
- Install shelf.
- Adjust doors.

