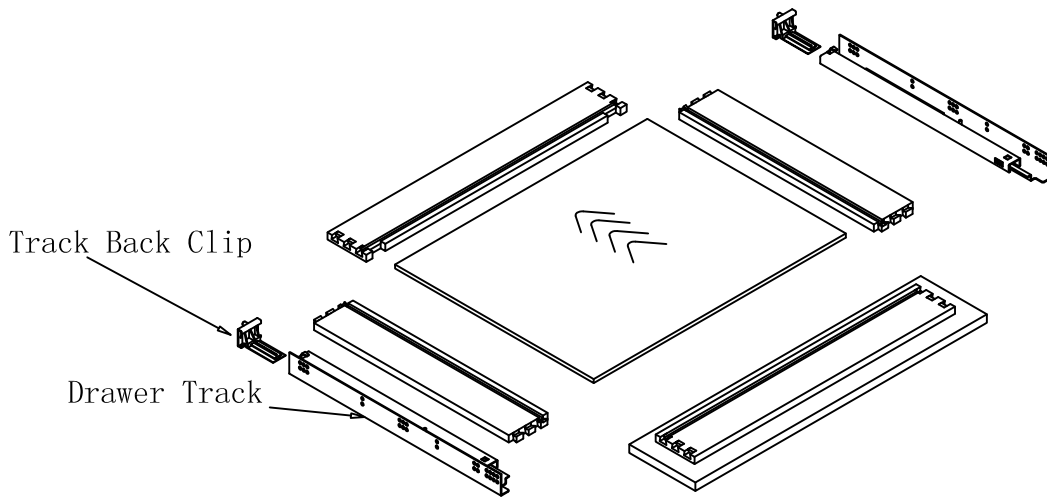
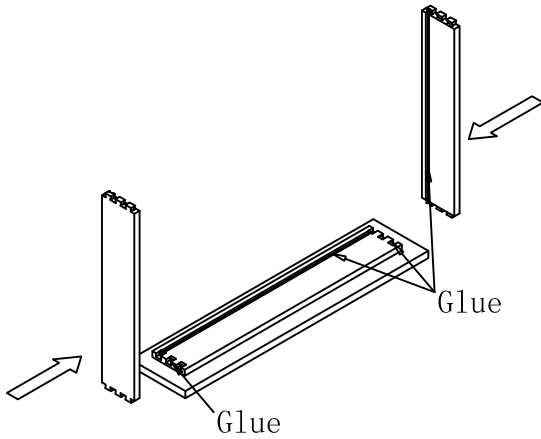


# Drawer Box Assembly

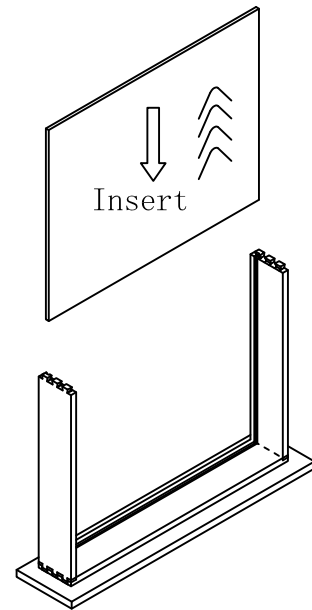
VSB36T, VSB39T, CB36



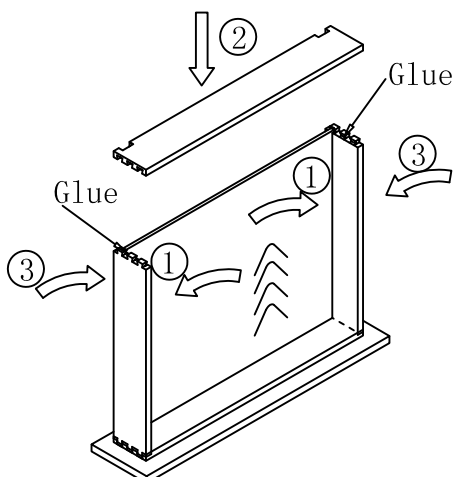
Step1: Install sides on drawer front. Tap with hammer if needed to make flush.



Step2: Slide plywood bottom into groove on drawer sides. No glue here to allow for natural expansion and contraction of drawers.



Step3: Install back of drawer by spreading the sides of drawer just enough to allow back of drawer to be locked in. As before, glue dovetail joints.



Finish

