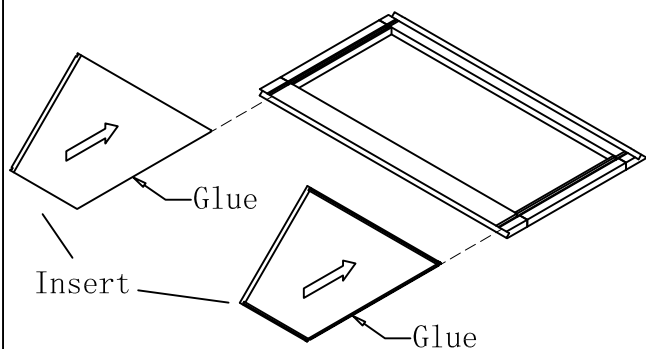
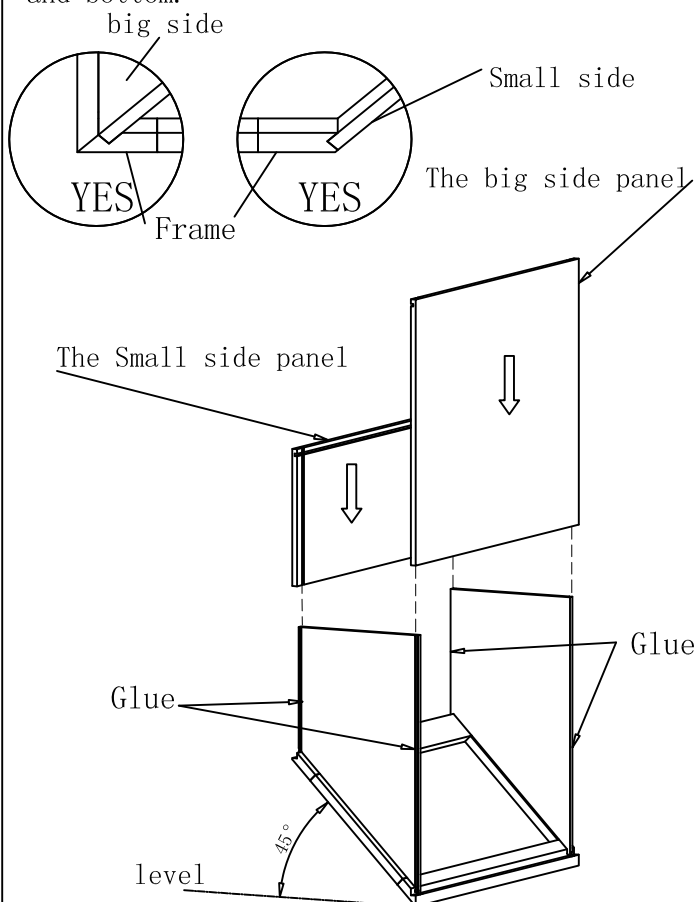


# HOOK-LOC Base Transition Assembly

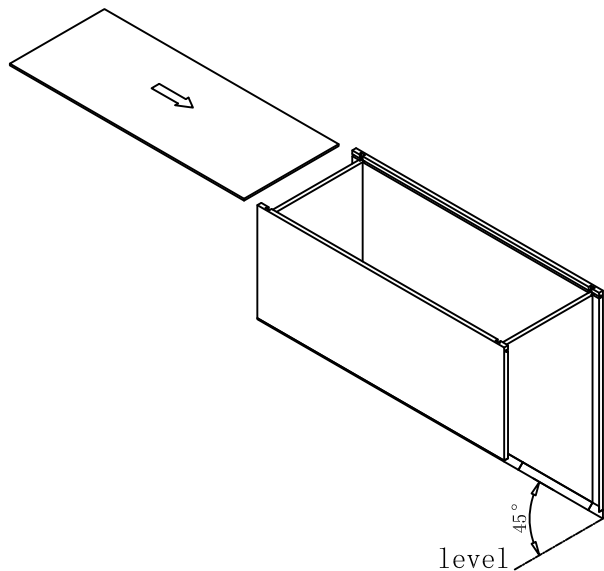
Step1: Slide top and bottom into hook grove on face frame.



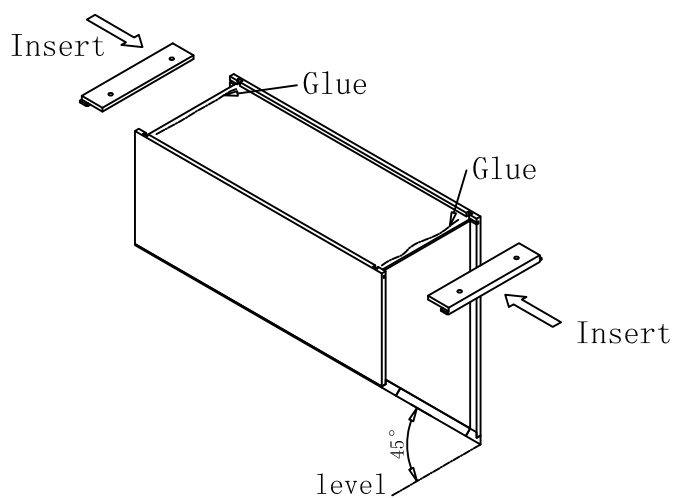
Step2: Slide side panels into hook grove on top and bottom.



Step3: Slide back into hook grove. Flush with top and bottom.

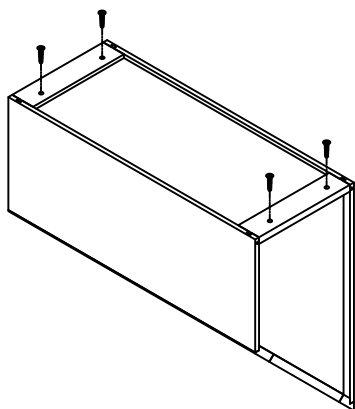


Step4: Install hanging rails flush with sides.

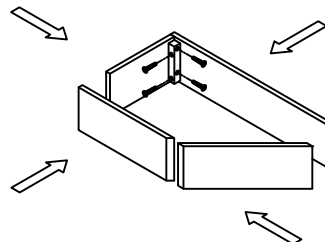


# HOOK-LOC Base Transition Assembly

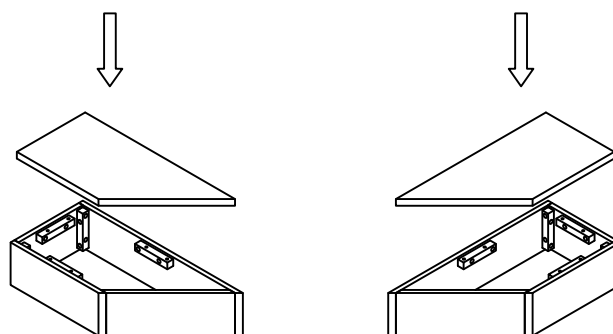
Step5: Install screws.



Step6: Toe kick assembly.



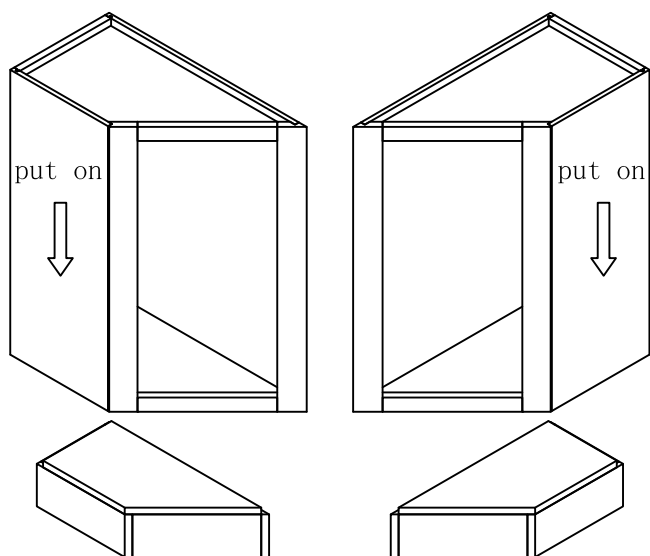
Step7: Toe kick top assembly



Left

Right

Step8: The cabinet on the Toe kick. Toe kick long edge is aligned with the side Panel

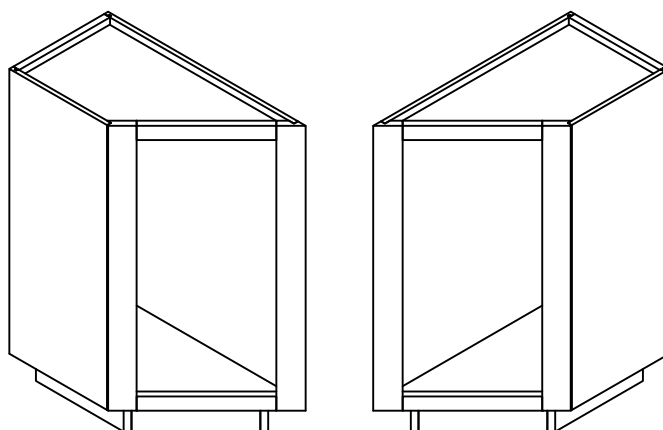


Left

Right

Step9:

- Clean any excess glue.
- Install shelf.
- Adjust doors.



Left

Right