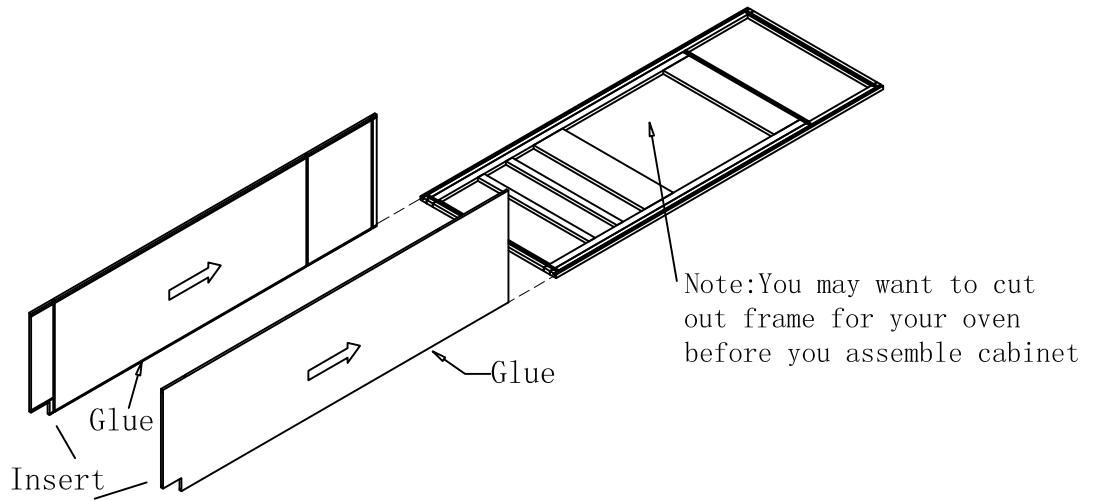
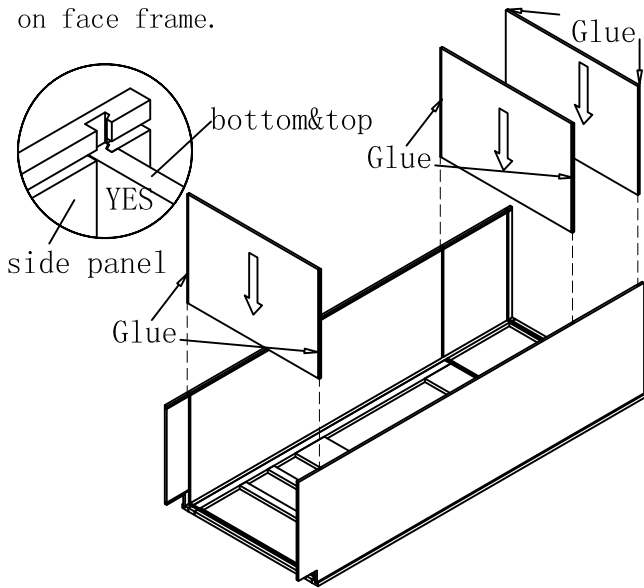


# HOOX-LOC Tall Universal Oven Assembly

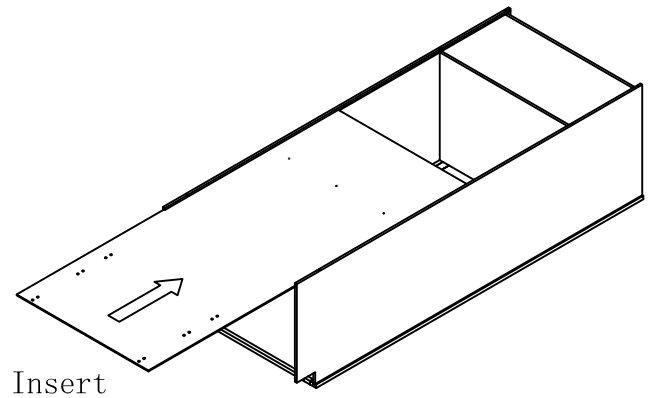
Step1: With face of cabinet laying down, Slide end panels into hook groove on Face frame till side panel and face frame even.



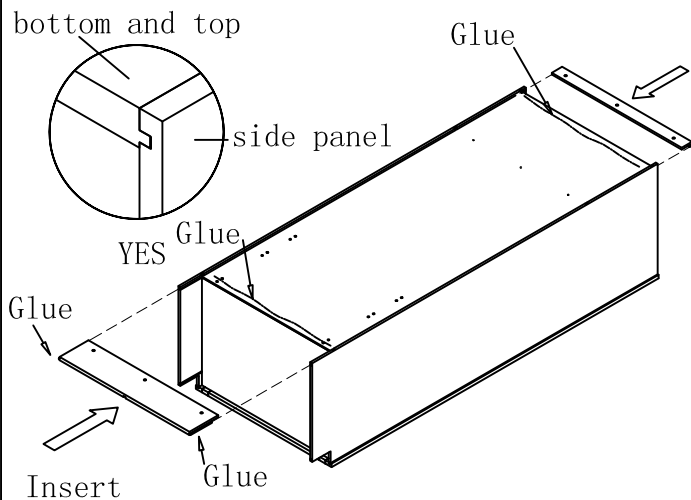
Step2: Slide top bottom middle into hook groove on face frame.



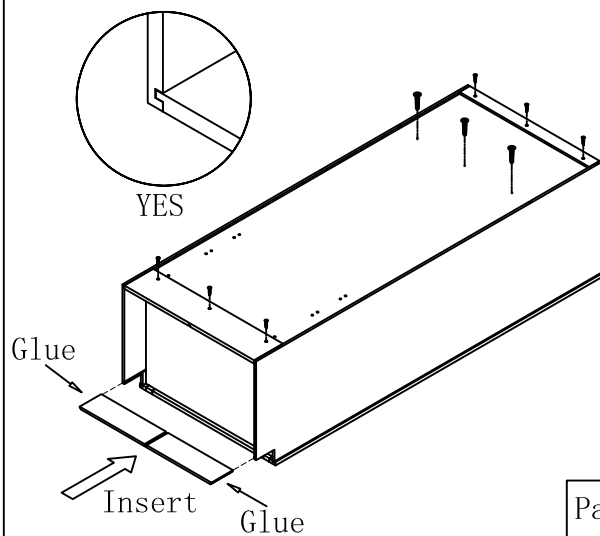
Step3: Slide Back Panel into slot and make sure that panel lines up flush



Step4: Install hanging rails top and bottom

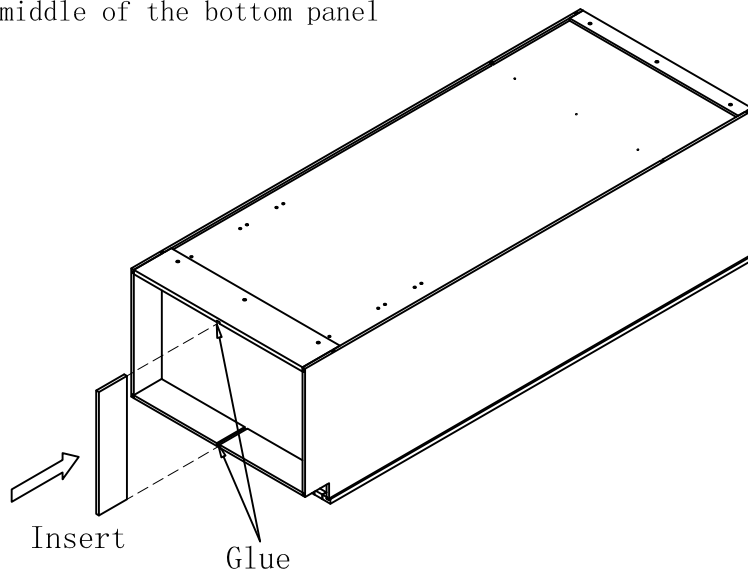
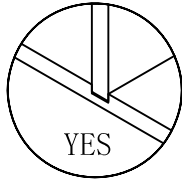


Step5: Install screws into cabinet. Slide toe kick backer into cabinet groove.

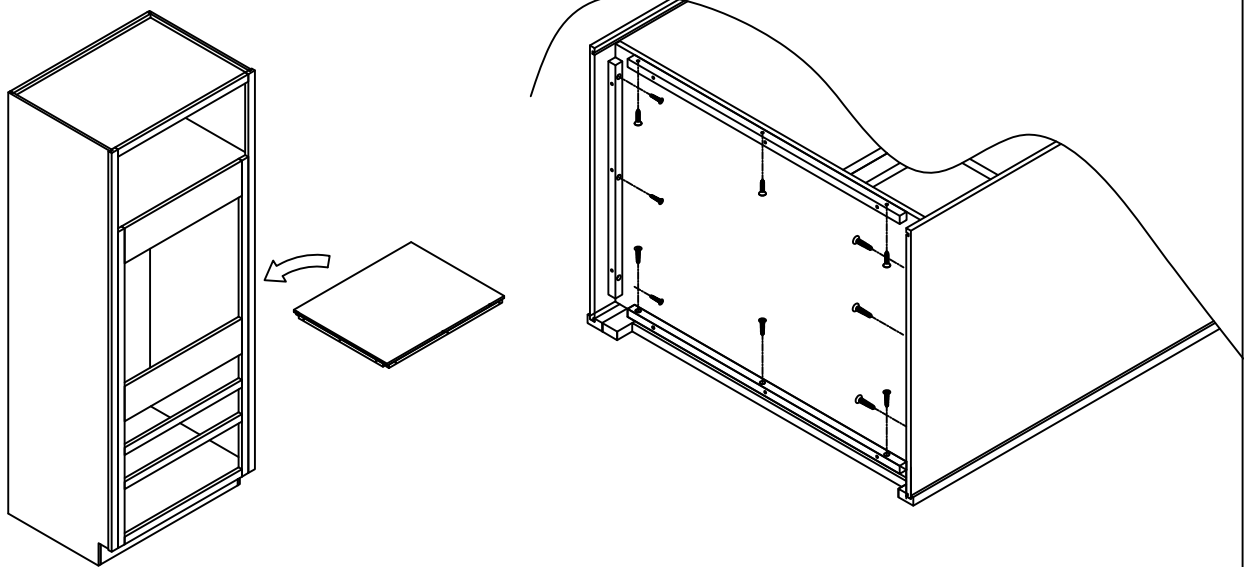


# HOOκ-LOC Tall Universal Oven Assembly

Step6: Install rail in the middle of the bottom panel



Step5: this is an adjustable shelf install as need with your oven, Install the screws into wood blocks on the face frame and side panel and back panel.



Step8:

- Install drawers
- Clean any excess glue.
- Install shelf.
- Adjust doors.

