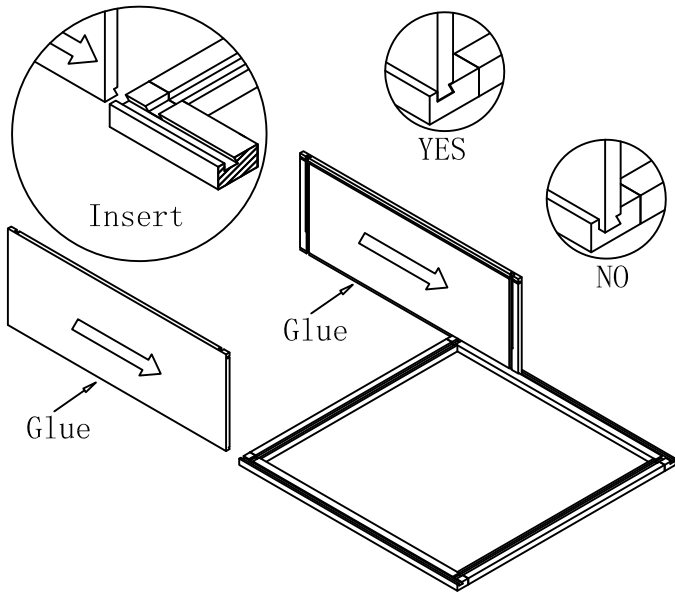
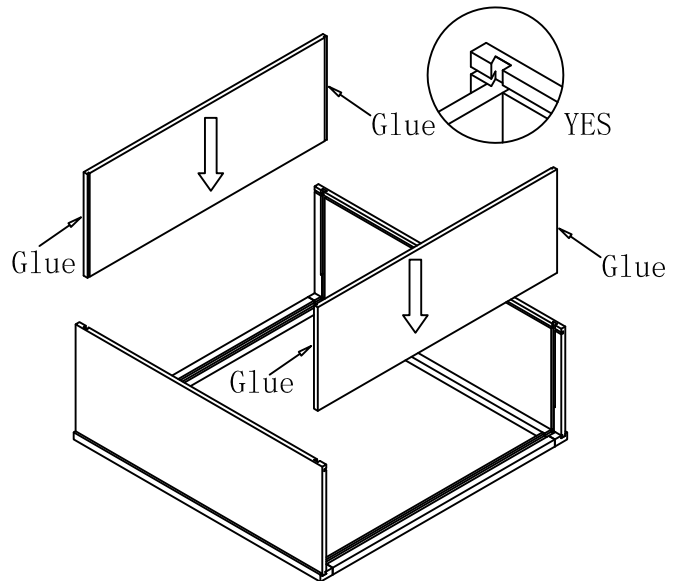


HOOX-LOC Wall Cabinet Assembly

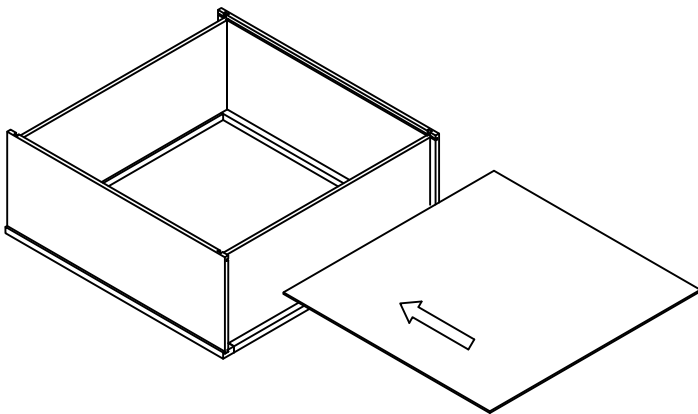
Step1: With face of cabinet laying down, Slide end panels into hook groove on Face frame till side panel and face frame even.



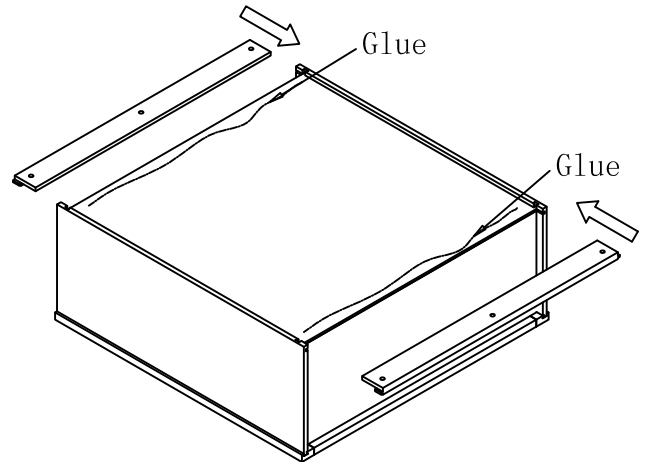
Step2: Slide Top and Bottom into hook groove in sides of the cabinet. Make sure that bottom of Floor is seated into groove on back frame



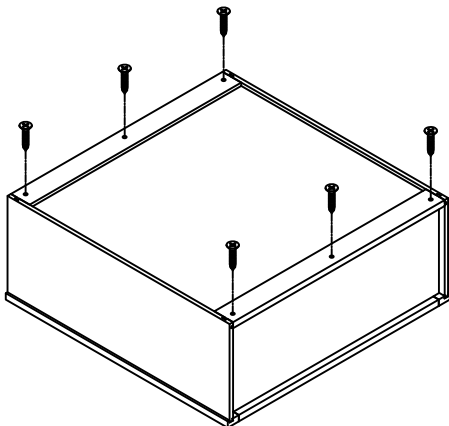
Step3: Slide Back Panel into slot and make sure that panel lines up flush with top and bottom.



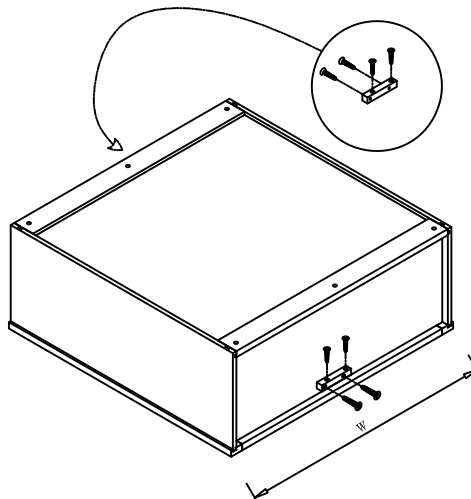
Step4: Install hanging rails top and bottom. Make sure all rails are flush with side panels.



Step5: Install assembly screws into back of cabinet



Step6: If Width is 30" or over, install screw blocks at face frame on top and bottom.



Step7:

- Clean any excess glue.
- Install shelf.
- Adjust doors.

