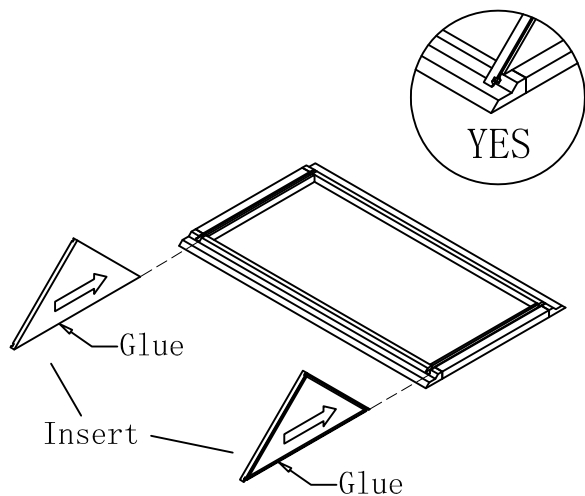
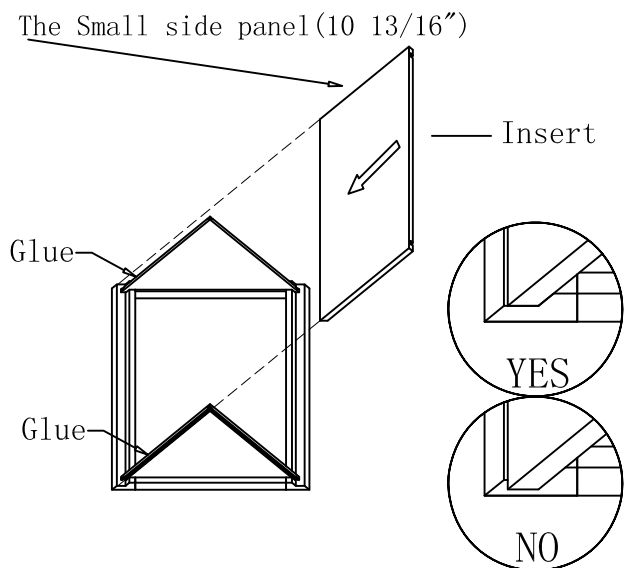


# HOOK-LOC Wall Angle End Cabinet Assembly

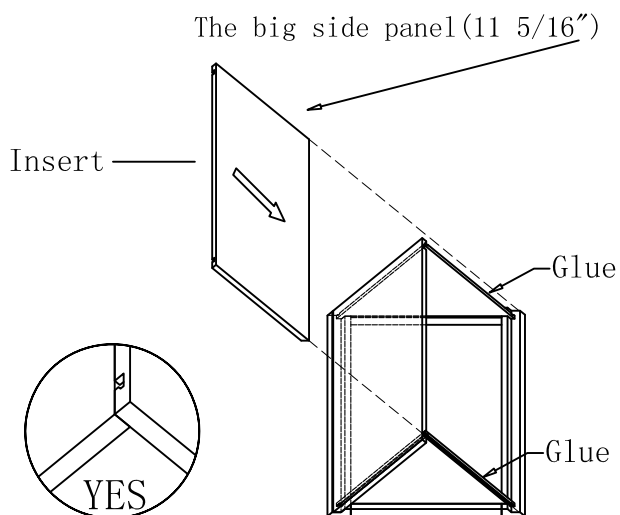
Step1:Slide top and bottom into hook grove on face frame.



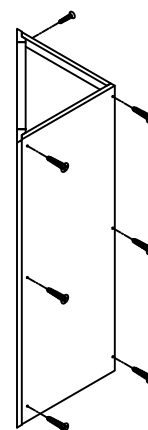
Step2:Slide small side panel into hook grove .



Step3:Slide big side panel into hook grove.



Step4:Install screws as shown.



Step5:

- Clean any excess glue.
- Install shelf.
- Adjust doors.

