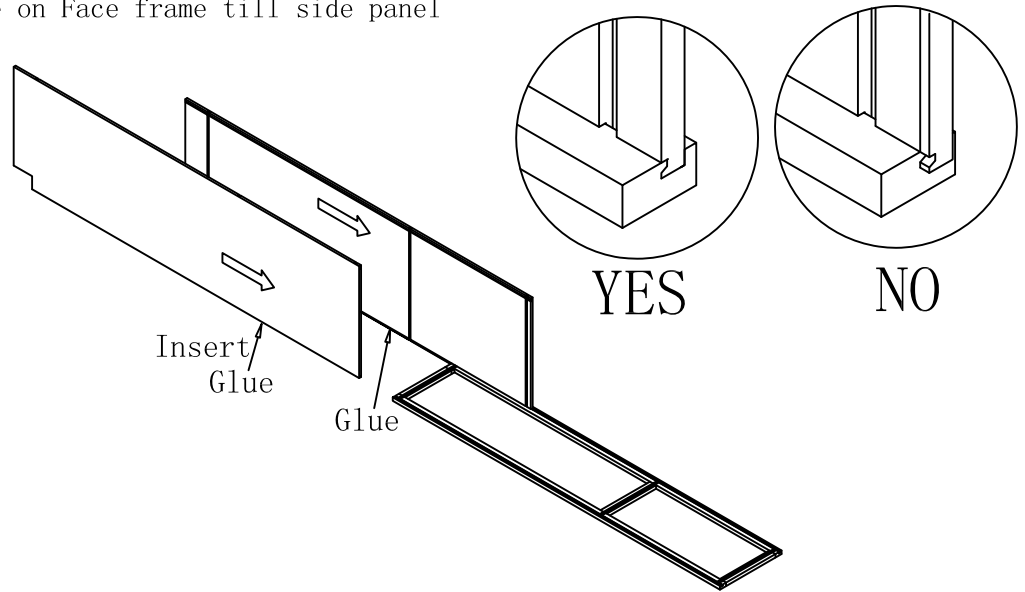
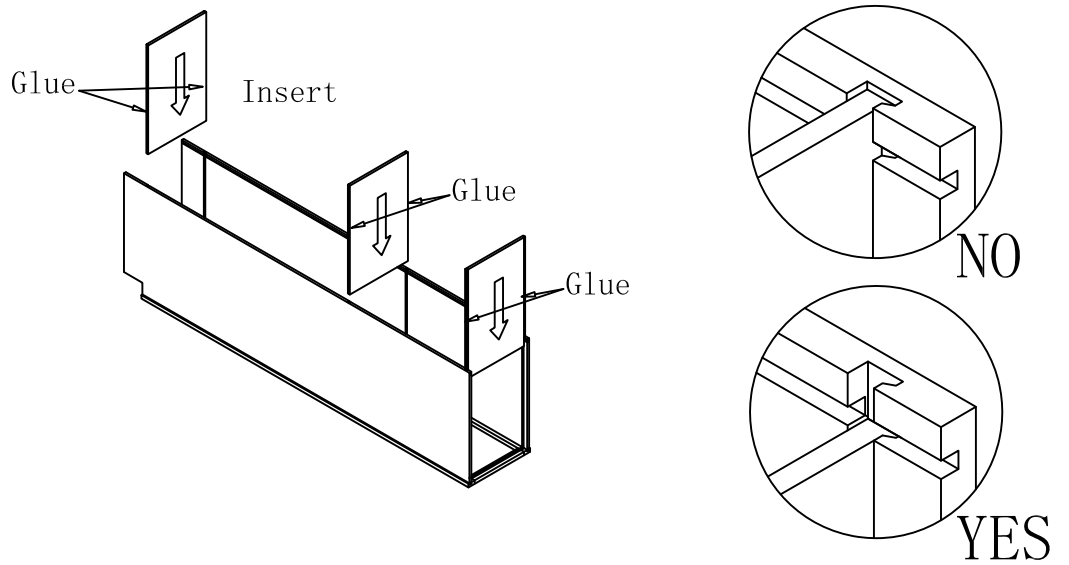


# HOOX-LOC Tall Utility Assembly

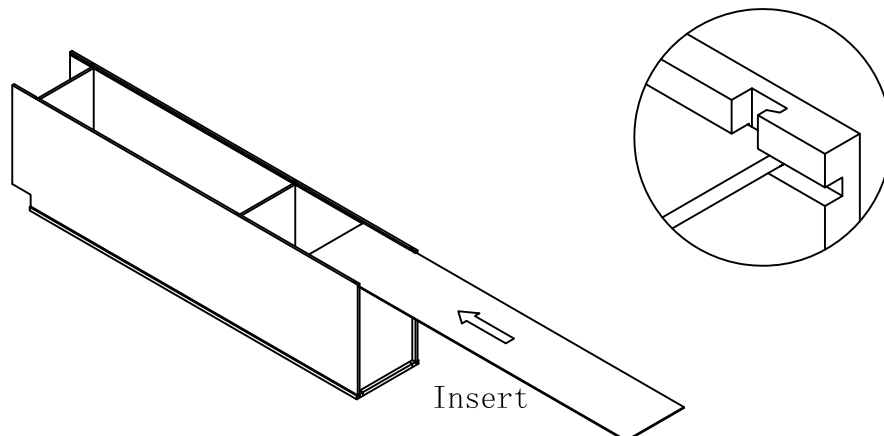
Step1:With face of cabinet laying down, Slide end panels into hook groove on Face frame till side panel and face frame even.



Step2:Slide top bottom middle into hook groove on face frame.

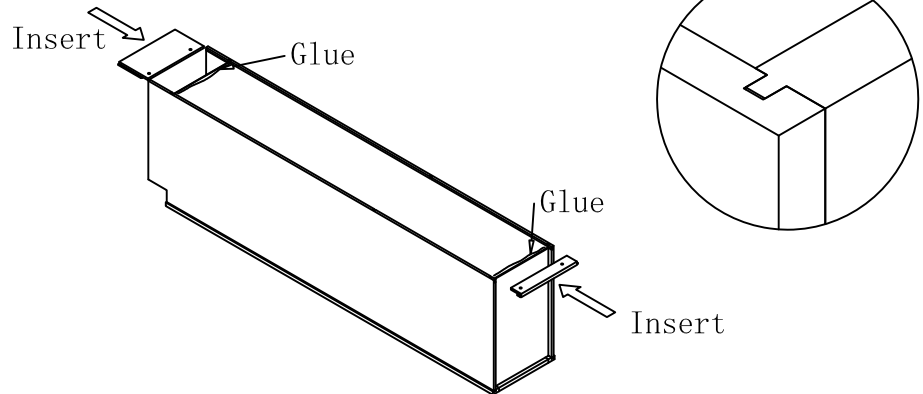


Step3:Slide Back Panel into slot and make sure that panel lines up flush

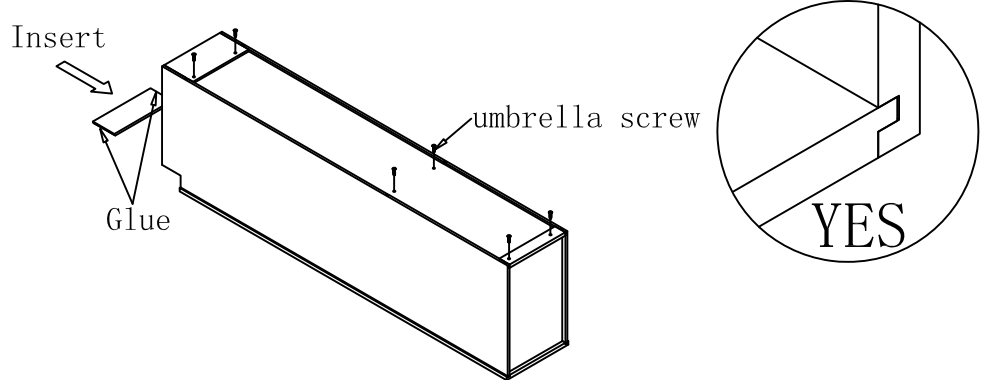


# HOOX-LOC Tall Utility Assembly

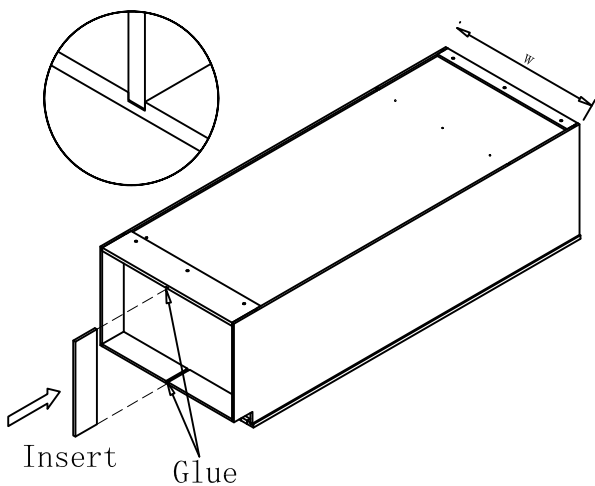
Step4: Install hanging rails top and bottom



Step5: Slide Toe kick backer into cabinet groove. Install screws into cabinet. Making sure that all parts line up and are even



Step6: If Width is 30" or over, install rail in the middle of the bottom panel



Step7:

- Clean any excess glue.
- Install shelf.
- Adjust doors.

