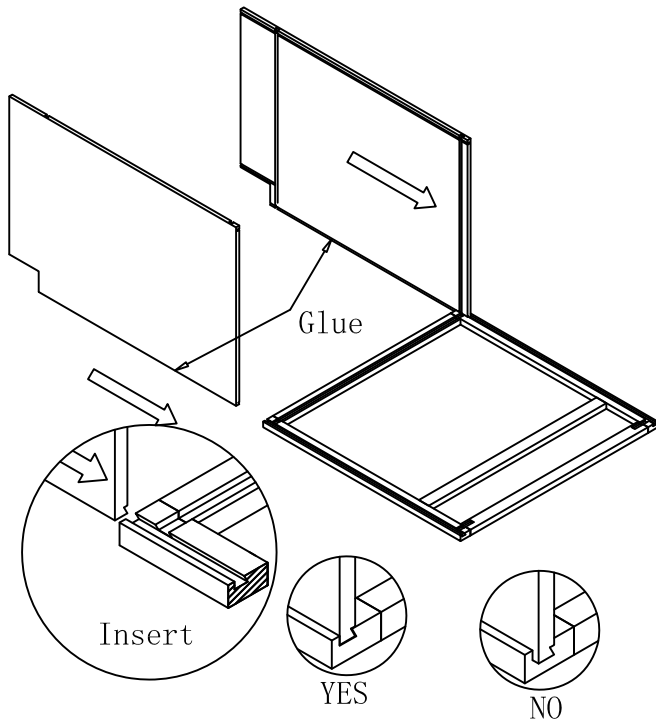
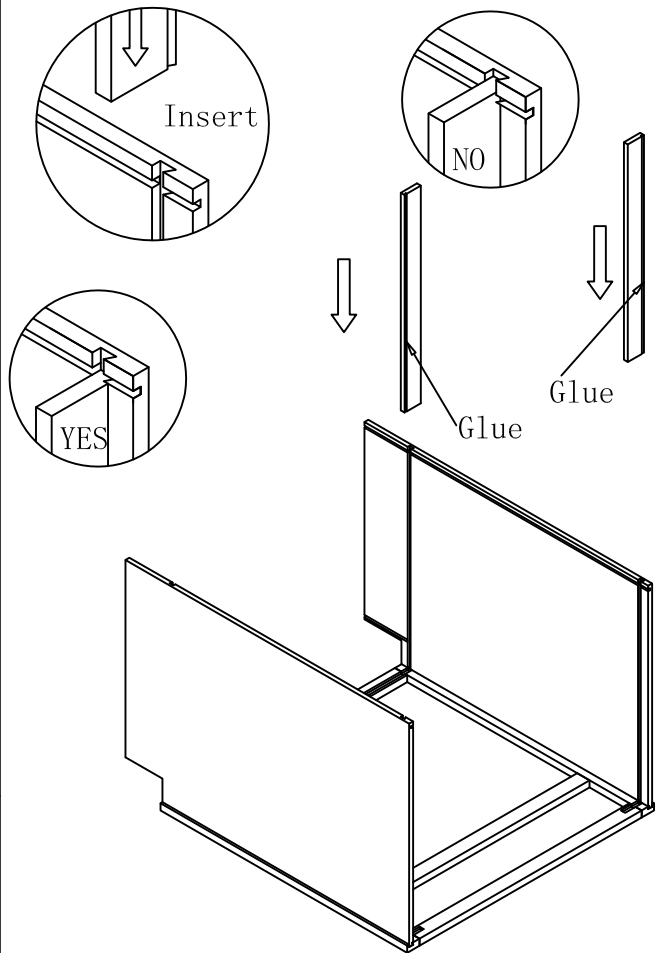


HOOX-LOC Base Cabinet Assembly

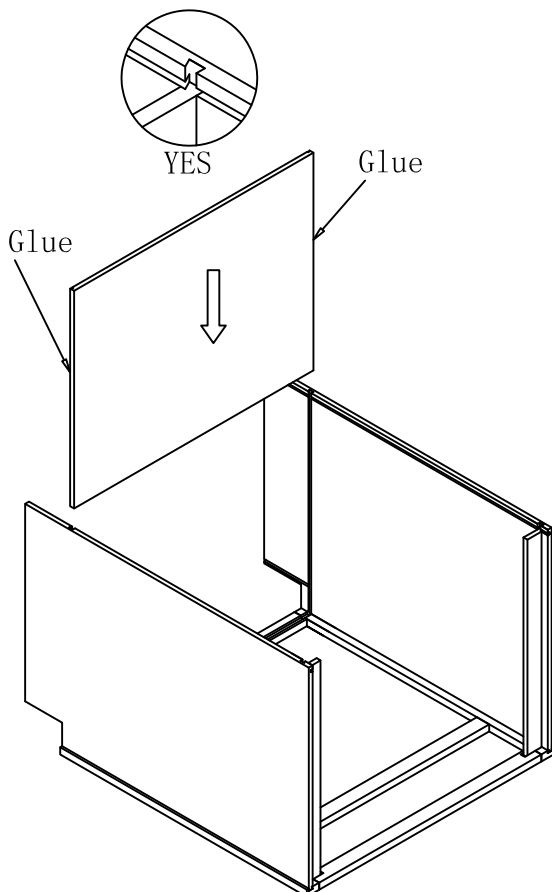
Step1: With Face of cabinet laying down, Slide end panels into slot of Faceframe till side panel and face frame even.



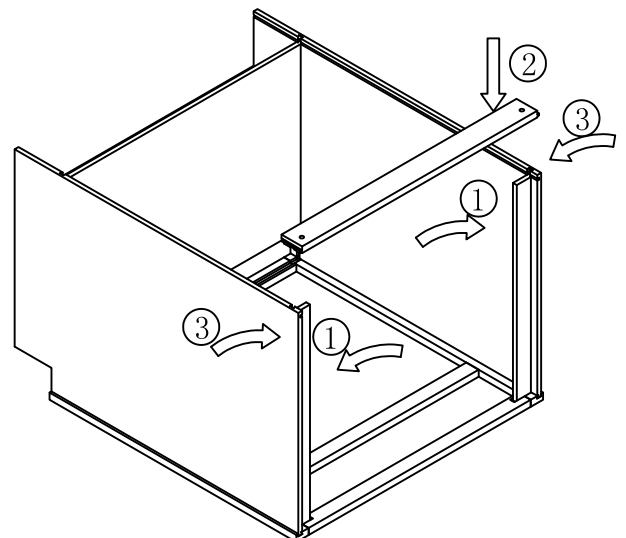
Step2: Slide I-Beams into slot of side panel till they lock into groove in Face Frame



Step3: Slide Cabinet Floor evenly into the sides of the cabinet. Make sure that bottom of Floor is seated into groove on back frame

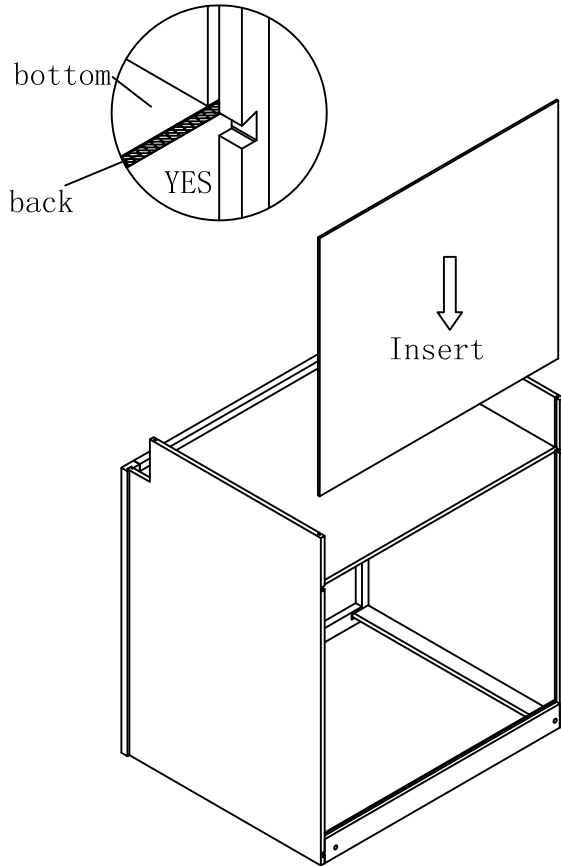


Step4: ① Lightly push side panels apart ② to allow hanging rail ③ to lock into groove on end panels

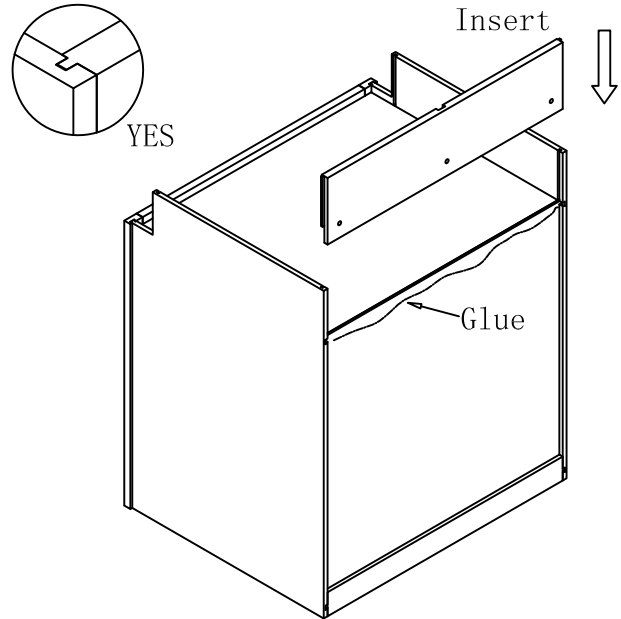


HOOX-LOC Base Cabinet Assembly

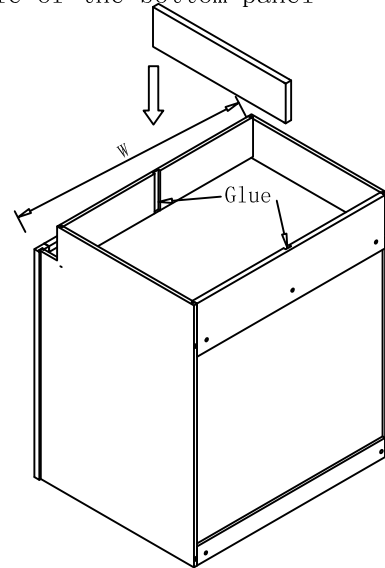
Step5: Slide back panel into cabinet back groove from the bottom.



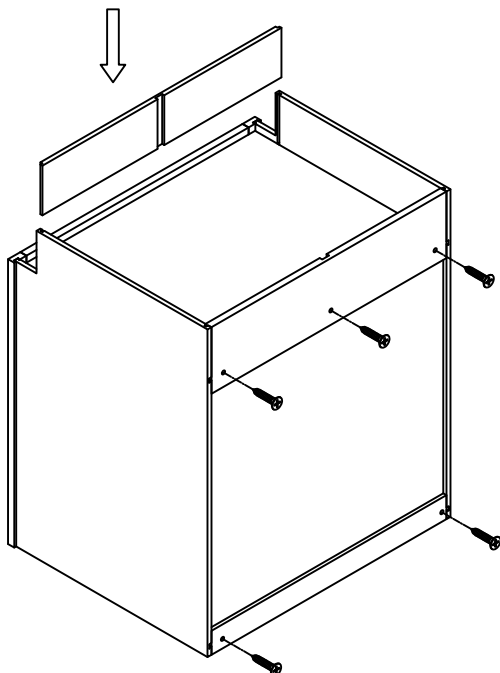
Step6: Insert Bottom hanging rail into slot until it is seated to base floor



Step8: If Width is 30" or over install rail in the middle of the bottom panel



Step7: Slide Toe kick backer into cabinet groove. Install screws into cabinet. Making sure that all parts line up and are even



Step9:

- install drawer
- Clean any excess glue.
- Install shelf.
- Adjust doors.
- Proceed to install drawer track

