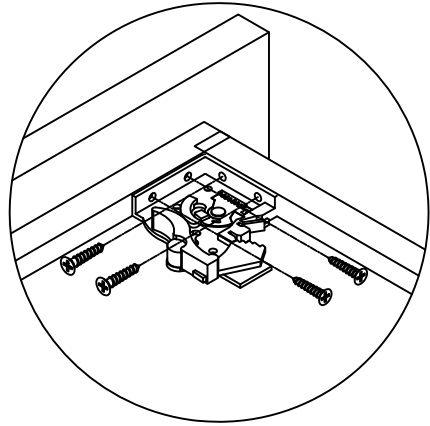
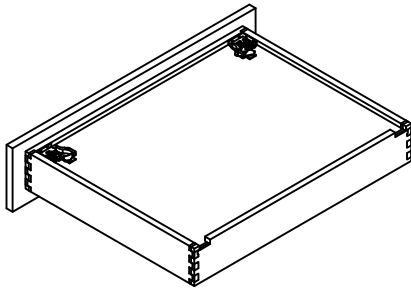
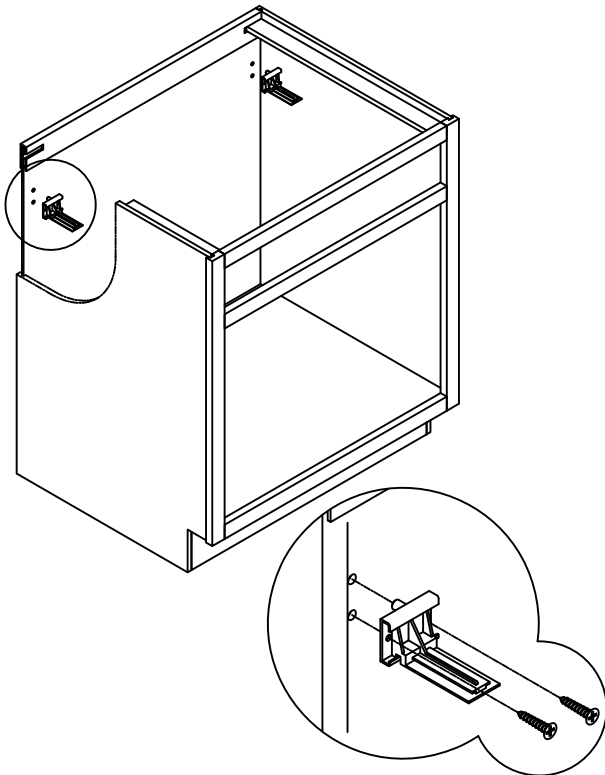


# Drawer Track Installation

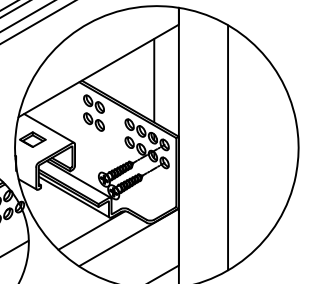
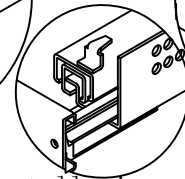
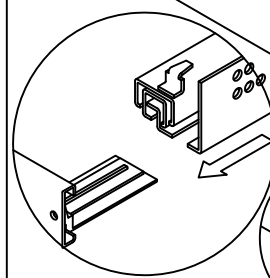
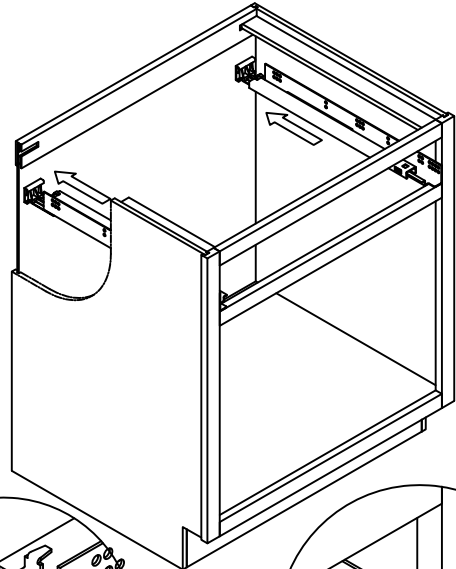
Step1: Install front drawer clips with supplied screws.



Step2: Install track mounting clips secure with supplied screws

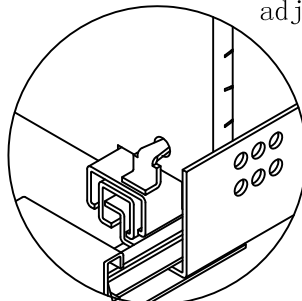
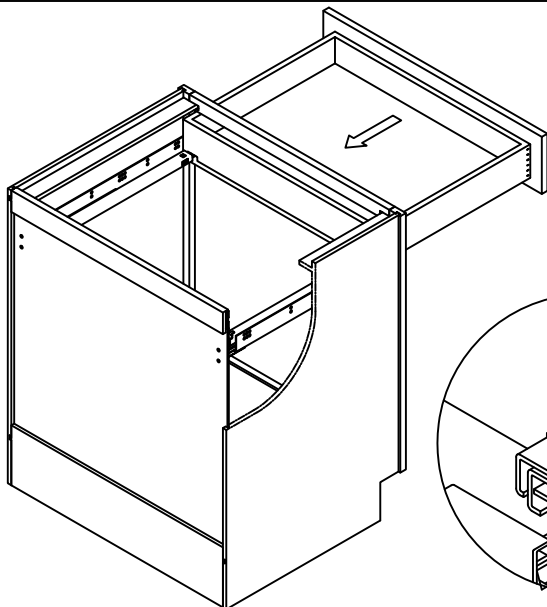


Step3: Slide tracks back and line up front track holes with faceframe hole and screw in.



Proper Track Installation

Screw tracks into faceframe



Step4: Slide drawer into cabinet making sure that back of drawer locks into metal tab at end of track. You should hear the track click into place when it locks in. Open and close drawer to make sure of proper operation. Adjust drawer face with front clip adjustments as needed