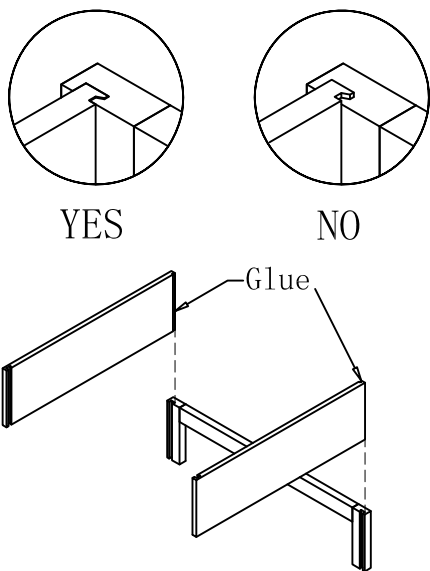
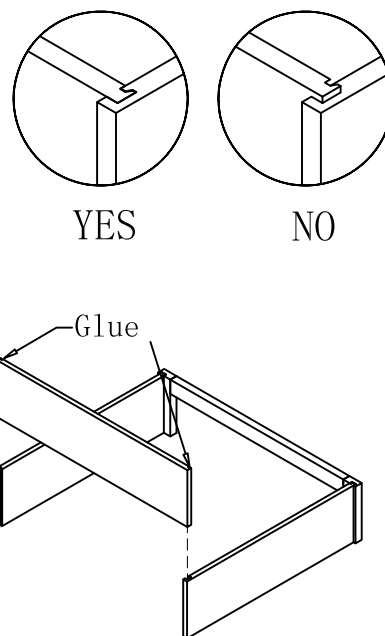


# HOOX-LOC Vanity Knee Drawer Assembly

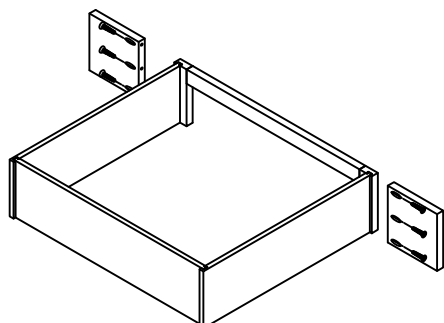
Step1:Slide end panels into hook grove on Face frame till side panel and face frame even.



Step2:Slide back panel into hook grove on Side end panels till Back panel and Side end panels even.



Step3:Install screws as show .



Step9:

- ⊙ Install drawer
- ⊙ Clean any excess glue.
- ⊙ Proceed to install drawer track

